



**UNION<sup>®</sup>**

**MULTIPOINT LOCKS**

An ASSA ABLOY Group brand

ASSA ABLOY



# High Security Centre Unit

## JL22180 High Security Centre Unit

### Application

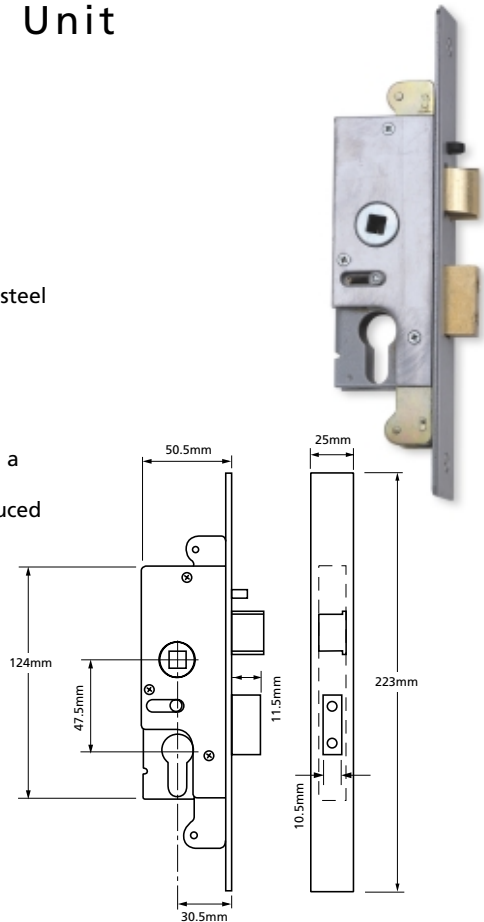
- Ideal for aluminium and PVCu doors.

### Operation

- Single throw deadbolt containing hardened steel inserts, protecting against saw attack.
- Auto Deadlocking latchbolt.
- Suitable for use with sprung furniture.
- Deadbolt operated by key and cylinder.
- Latchbolt withdrawn by handle or cylinder.
- 'Nightlatch' action available when used with a 'split' spindle.
- Easily reversible, non handed system for reduced stock handling.
- Centre Unit for link rod multipoint locks.

### Finishes

- Stainless Steel



### Specification

Description	JL22180
Case Size	50.5mm
Case Material and Finish	Stainless Steel
Forend	Stainless Steel
Striking Plate	Stainless Steel
Latchbolt	Brass
Deadbolt	Brass with hardened steel rollers
Follower	Aluminium 8mm square
Keying	n/a
Cylinder Type & Finish	n/a

# Standard Security Centre Unit

**JL22172** Standard Security Centre Unit

## Application

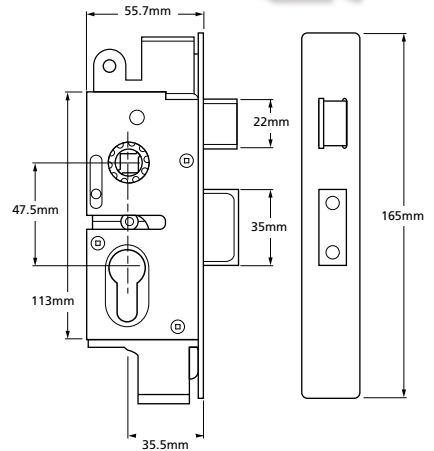
- Ideal for aluminium and PVCu doors.

## Operation

- Double throw deadbolt extending to 24mm max. containing hardened steel inserts, protecting against saw attack.
- Suitable for use with sprung furniture.
- Deadbolt operated by key and cylinder.
- Latchbolt withdrawn by handle or cylinder.
- 'Nightlatch' action available when used with a 'split' spindle.
- Easily reversible, non handed system for reduced stock handling.
- Centre Unit for screw in link rod multipoint locks.

## Finishes

- Stainless Steel



## Specification

Description	JL22172
Case Size	50.5mm
Case Material and Finish	Stainless Steel
Forend	Stainless Steel
Striking Plate	Stainless Steel
Latchbolt	Steel
Deadbolt	Steel with hardened steel rollers
Follower	Aluminium 8mm square
Keying	n/a
Cylinder Type & Finish	n/a



# High Security Hookbolts

**J28190 High Security Hookbolts**  
**J28191 High Security Hookbolts**

## Application

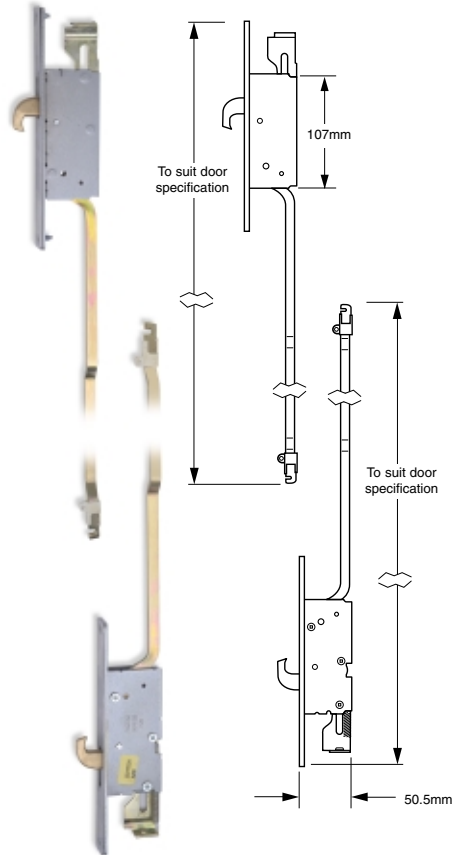
- Ideal for aluminium and PVCu doors.

## Operation

- Steel section, zinc plated for strength and durability.
- Brass self locking deadbolts.
- Opposed hookbolt travel preventing disengagement by vertical movement of the door.
- Tapered hooks to allow easy engagement with strike plates.
- 21mm projection suitable for maximum door compression of 6mm.
- To be used in conjunction with JL22180.

## Finishes

- Stainless Steel



## Specification

Description	J28190, J28191
Case Size	50.5mm
Case Material and Finish	Stainless Steel
Forend	Stainless Steel
Striking Plate	Stainless Steel
Latchbolt	n/a
Deadbolt	Brass hookbolt
Follower	n/a
Keying	n/a
Cylinder Type & Finish	n/a

# Standard Security Deadbolts

**J28161 Standard Security Deadbolts**  
**J28174 Standard Security Deadbolts**

## Application

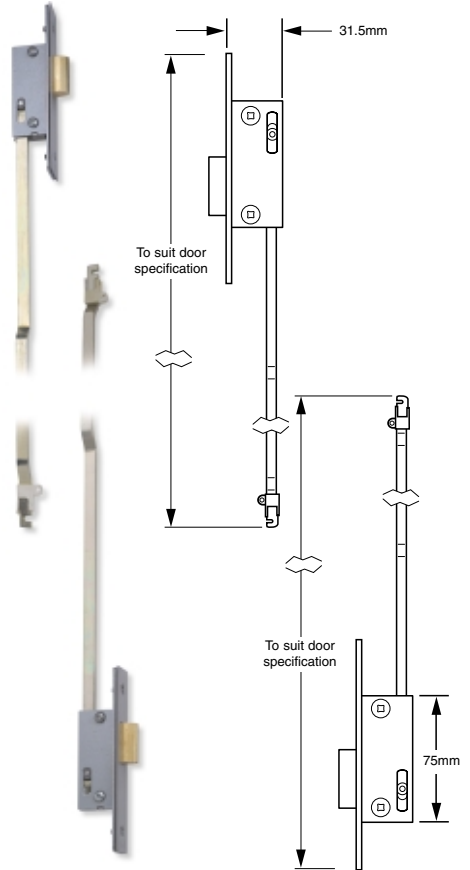
- Ideal for aluminium and PVCu doors.
- To be used in conjunction with JL22180.

## Operation

- Steel section, zinc plated for strength and durability.
- Brass self locking deadbolts.

## Finishes

- Stainless Steel



## Specification

Description	JL28161, J28174
Case Size	50.5mm
Case Material and Finish	Stainless Steel
Forend	Stainless Steel
Striking Plate	Stainless Steel
Latchbolt	n/a
Deadbolt	Brass
Follower	n/a
Keying	n/a
Cylinder Type & Finish	n/a



# Shootbolt Kit for 3 & 5 Point Locking

**J222172-Kit Shootbolt Kit for 3 Point Locking**

**J28188-8 Shootbolt Kit for 5 Point Locking**

## Application

- Ideal for aluminium and PVCu doors.

## J222172-Kit Operation

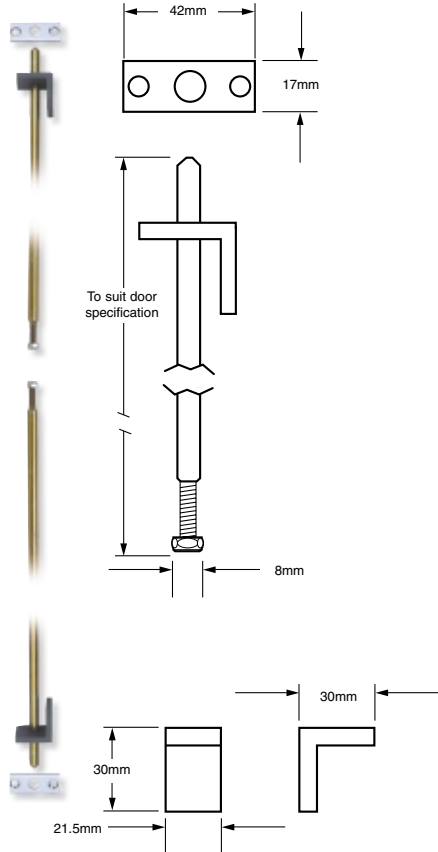
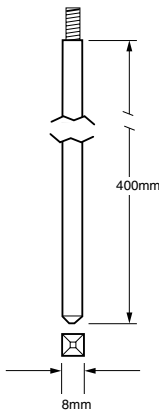
- Provides 3 point locking security option when used in conjunction with JL22172 centre unit.
- Bolts secure into head and sill of frame when thrown by centre unit.
- 2 x 860mm Rods supplied as standard package. Other lengths available.

## J28188-8 Operation

- Provide 5 point locking when used in conjunction with JL22180, J28190 and J28191.
- Bolts secure into head and sill of frame when thrown by centre unit.

## Finishes

- Brass



- Rigid PVC shoot guide.

**J222172-Kit Shootbolt Kit for 3 Point Locking**

**J28188-8 Shootbolt Kit for 5 Point Locking**



## Styling

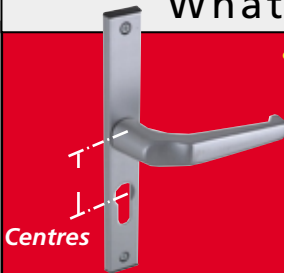
The furniture is available in two styles.



## Fixings

All fixings, such as screws and bolts are supplied.

## What are Centres?



- This is the measurement from the centre of the 'follower', which operates the handles, to the centre of the keyhole.

Multi-Point  
Locks  
Aluminium  
Furniture

## Ordering Procedure - Example

### Packaging

**J** - Boxed

### Style

**48** - Oval

For full ordering instructions see price list.

**J - 7448 - 48 - AS**

### Catalogue Number

**7448** - Eagle Handle

### Finishes

**AS** - Anodised Silver

e.g. J-7448-48-AS would be a boxed Eagle handle for Euro profile cylinders in an anodised silver finish.



## Features and Functions

### Fixing Types

The furniture can be fixed to the door in two ways.

### Bolt Through

The inside and outside furniture are bolted together with a pair of special bolts that pass through the lock and door.

### Face Fix

The furniture is screw fixed to the surface of the door.



### Spindle

All furniture is available with a fixed or split 8mm spindle.

### Concealed Fixing

Visible or concealed fix available.

### Handle Fixing

Levers are fixed to the spindle with a grub screw.

### Lever Furniture Variations

The furniture is available with backplates to suit latch, lever key, euro profile and oval profile types of lock.

#### Latch (LA)

For use with mortice latches.

#### Lever Lock (LO)

For use with mortice locks operated by a lever key.

#### Euro (PE)

For use with cylinder mortice locks operating with a Euro Profile cylinder

#### Oval (PO)

For use with cylinder mortice locks operating with an Oval Profile cylinder.

### Springing

#### Double Sprung

The lever is sprung for upwards and downwards movement to allow for 2 way, 3 point locking.

#### Sprung

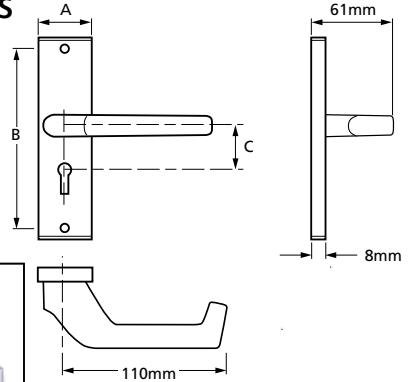
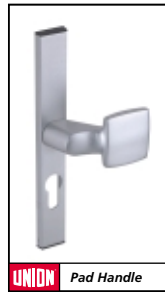
The lever returns to the rest position irrespective of any spring action in the lock.

**Finish:** Anodised Silver (AS)

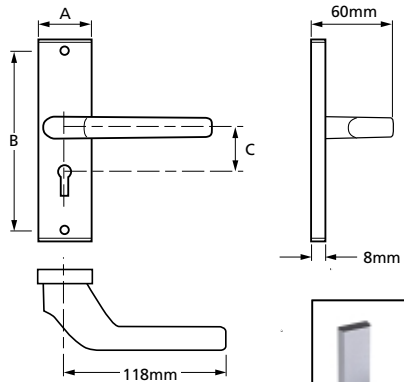
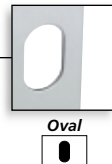
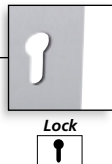
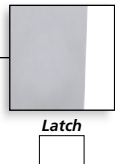
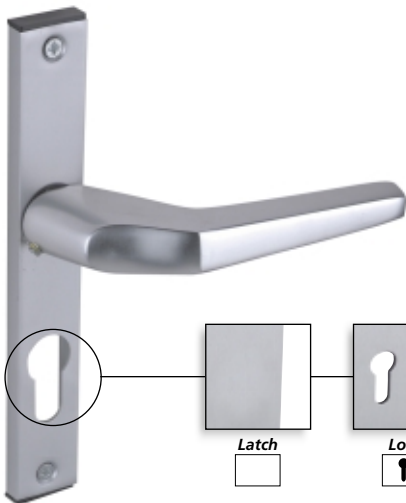
**Ideal for Use with:** Multipoint Locks, Mortice Locks.



## Statesman Range Handles



## Eagle Range Handles



# Furniture Handles

*Eagle Range*  
*Statesman Range*

## Application

- Ideal for aluminium & PVCu doors.

## Finishes

- Stainless Steel

<b>Eagle Range</b>					
<b>Model</b>	<b>A</b>	<b>B</b>	<b>C</b>	<b>Pairings</b>	
J7448-08	32	184	48	L/L	
J7448-28	32	184	48	L/L	
J7448-48	32	184	48	L/L	
J7448-281 *	32	184	48	L/L	
J7468-07	25	158	48	L/L	
J7468-27	25	158	48	L/L	
J7468-47	25	158	48	L/L	
J7479	25	207	92	L/L	
J7484-281	32	184	48	L/L	
J7494-281	32	189	48	L/L	
J7494-282-LH/snib	32	189	48	L/L	
J7494-981	32	184	N/A	L/L	
J7510/snib	32	156	48	L/P	
J7513/snib	32	156	48	L/P	
J7520	32	156	48	L/L	
J7574	32	189	92	P/P	
J7586/snib	32	189	48	P/P	
J7590	32	237	92	L/L	
J7592	32	237	62/92	P/P	
J7597	32	176	48	L/L	
J7598	32	176	48	L/P	
J7599	32	176	48	L/P	
J7602	32	181	N/A	L/L	
J7715	32	156	48	L/L	
J7716	32	156	48	L/L	
<b>Statesman Range</b>					
<b>Model</b>	<b>A</b>	<b>B</b>	<b>C</b>	<b>Pairings</b>	
JS4307RSL	27	179	48	L/L	
JS4307PDRSL	27	179	48	L/P	
JS4307PDRFSL	27	179	48	L/FP	

\*J7448-281 is Double Sprung.

Pairings - L = Lever, P = Pad, FP = Fixed pad.